



www.gomtc.com
254-298-2900

FEATURE SHEET



EP Hydraulic EasyPicker

MTC has developed the EasyPicker to be a dependable, easily cleaned, ergonomic lifting tool for clean environments.

- *Made from heavy-duty stainless steel for long life and trouble free operation.*
- *Available in 230v and 460v models with front-load or side-load carriage.*

(Other voltages available upon request.)

- *The EasyPicker can be customized to fit the lifting/positioning needs of your processing line.*



The EasyPicker utilizes stainless steel hydraulic fittings



The EasyPicker features stainless steel rod ends.



The EasyPicker features a heavy-duty pivot bolt that allows the carriage to rotate up to 100 degrees.

EP Standard Equipment



- Up to 3,000 lb. capacity.
- Up to 60" discharge height
- Up to 10° dump angle
- One container up to 48 X 48 X 48"
- Adjustable container hold-down
- 3" bore steel-it coated hydraulic cylinders
- Open bottom carriage for pallet jack loading
- Complete UL 230/460 VAC 3 phase electrical power 24 VDC controls
- 1.0 HP hydraulic power unit
- 12 GA liner
- 1-1/2" clearance per side between container and liner



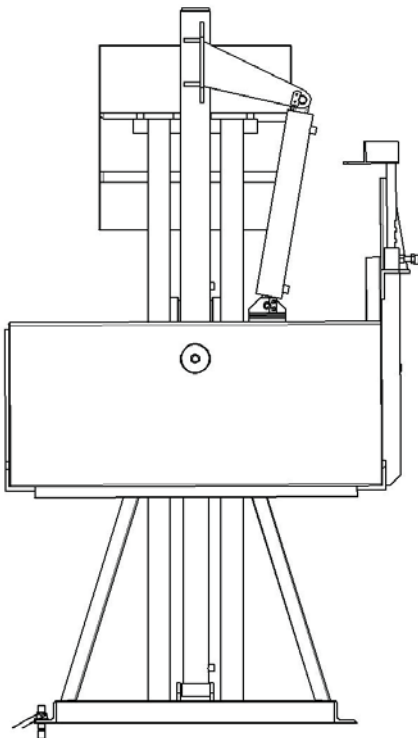
Joystick Operation

Raise: Raises the carriage

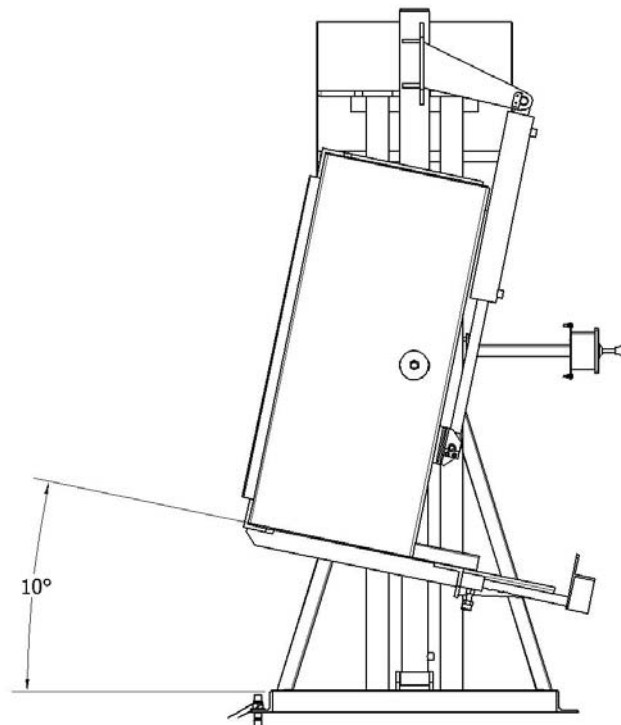
Tilt: Tilts the carriage to the left (for left-hand unit), or the right (for right-hand unit).

Return: Returns the carriage to the upright position

Lower: Lowers the carriage to the load-in position.



EasyPicker in Neutral Position



EasyPicker Carriage at Full Tilt

Features

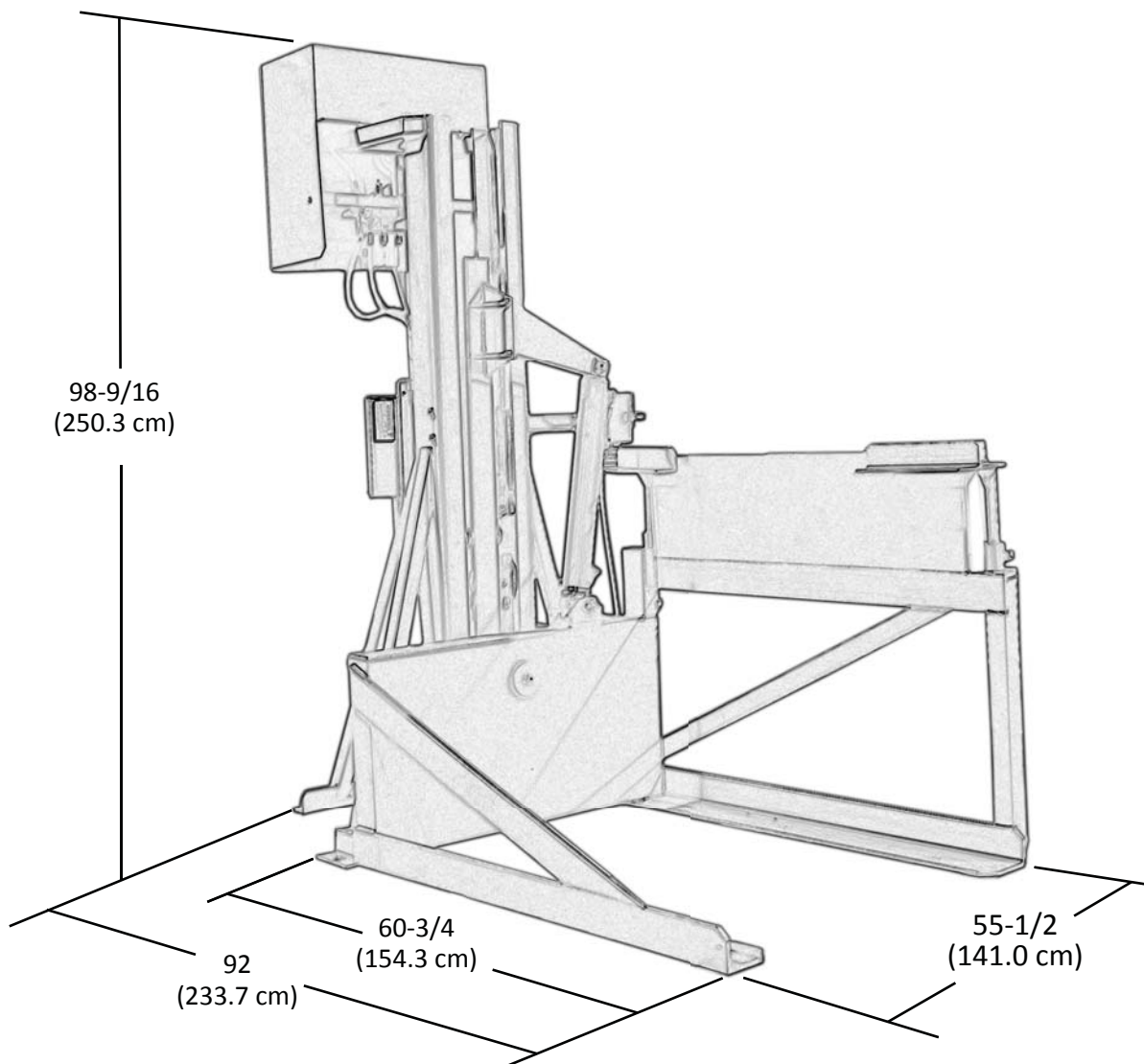
- Frame and carriage are all stainless-steel construction
- All stainless-steel hydraulic fittings and hose ends.
- 3" Dia. Steel-it Coated Hydraulic Cylinders

Benefits

Easy to clean, ensures long life and trouble-free operation, along with ease of sanitation.

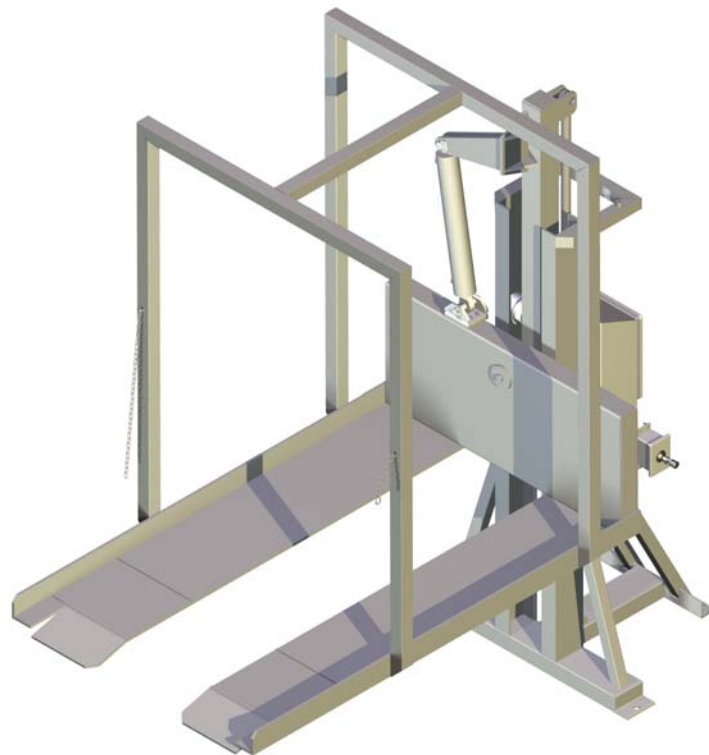
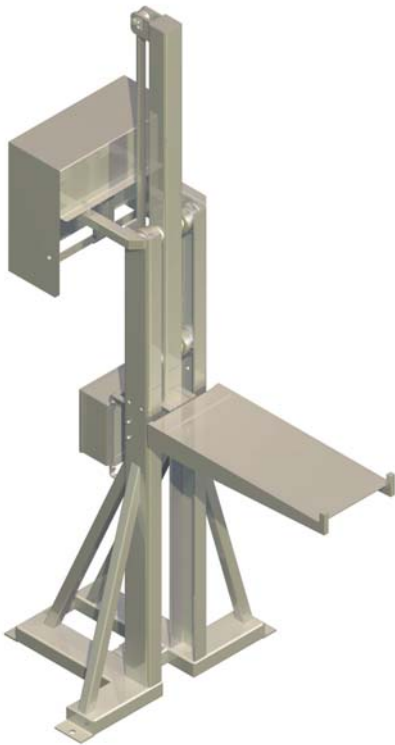
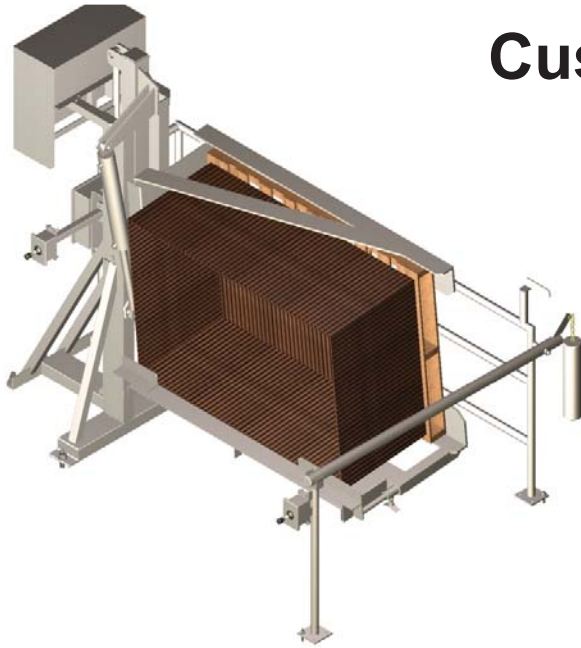
Durable, long lasting, and corrosion resistant

Allows the EasyPicker to lift the product up to 72" and rotate the carriage up to 100 degrees for ergonomically correct product placement.



Typical EP Dimensions Hydraulic EasyPicker

Customized Hydraulic EasyPickers



WWW.GOMTC.COM | INFO@GOMTC.COM | PHONE (254) 298-2900 | FAX (254) 791-2329 PO BOX 1358,
TEMPLE, TEXAS 76503 USA

Copyright © 2019 MTC Corp. All rights reserved. Trademarks are property of their respective owners.