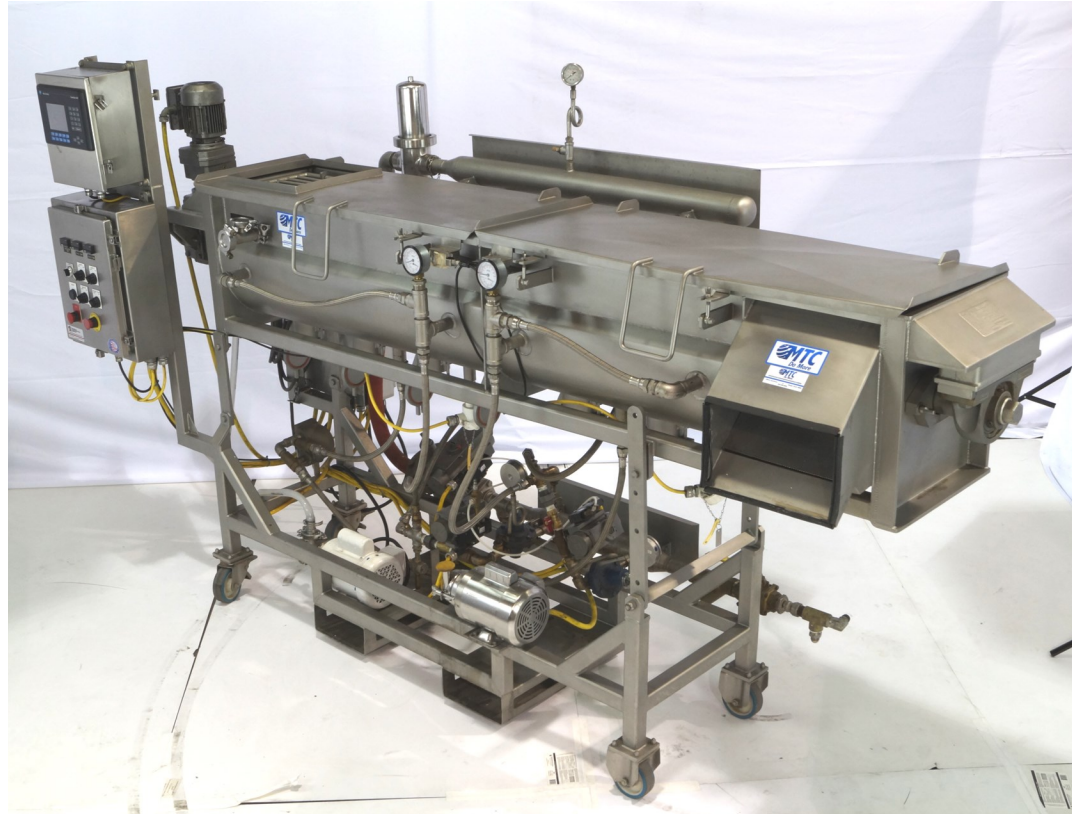


MTC Warehouse Clearance Sale

Rental & Show Equipment

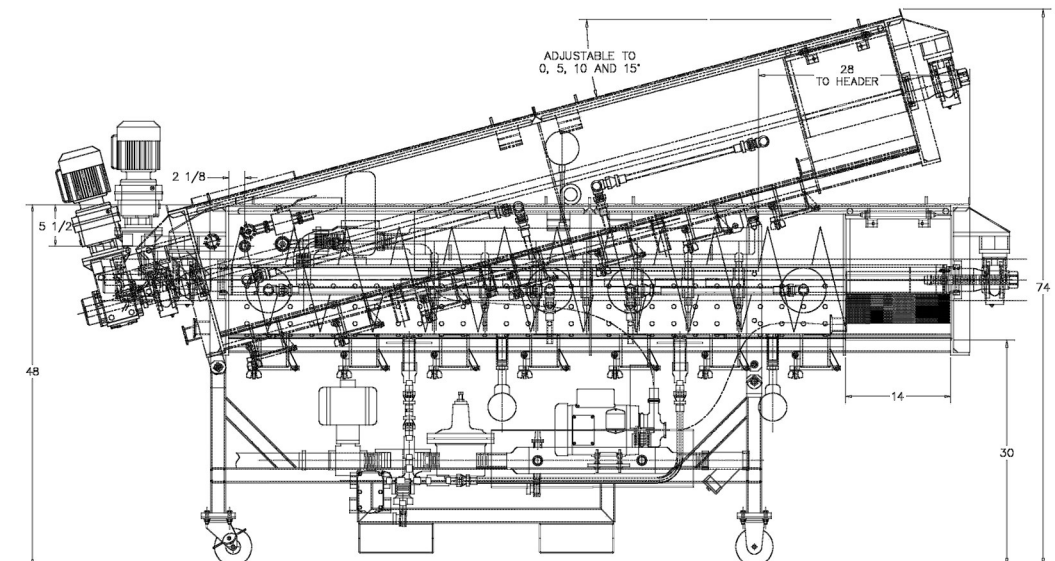


MTCC-0910355 Pro Cooker, MTCC-14-08

Trough Dimensions: 96 X 14.25W

This unit has the following features:

- HMI Terminal, Panelview 600 Touchscreen
- Micrologix 1100 Processor
- Gearmotor, Sew-Euro, RTANG, HLCL, BEV, 0.5 HP 230V
- 2 High Pressure Steam Jackets
- 96 X 14" dia. Auger
- Sanitary Split Seals (Drive & Idler End)
- 6 Steam Diffusers



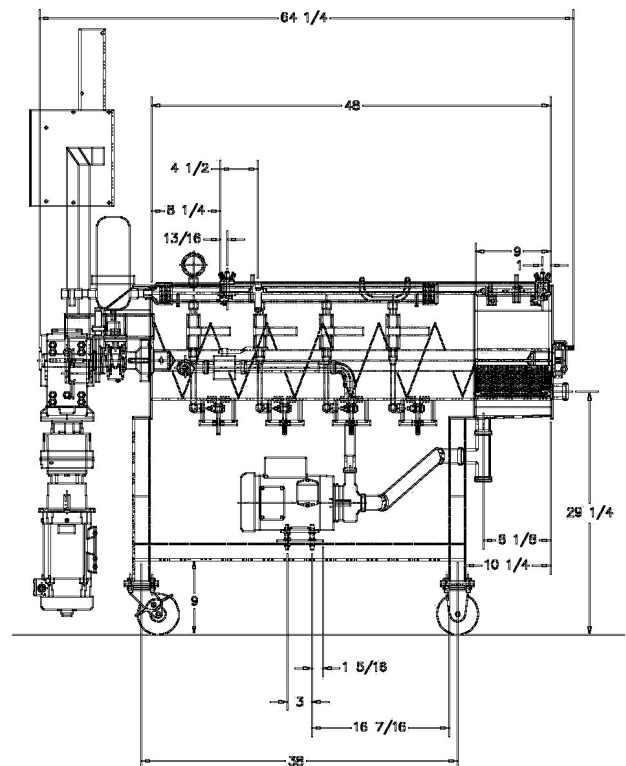


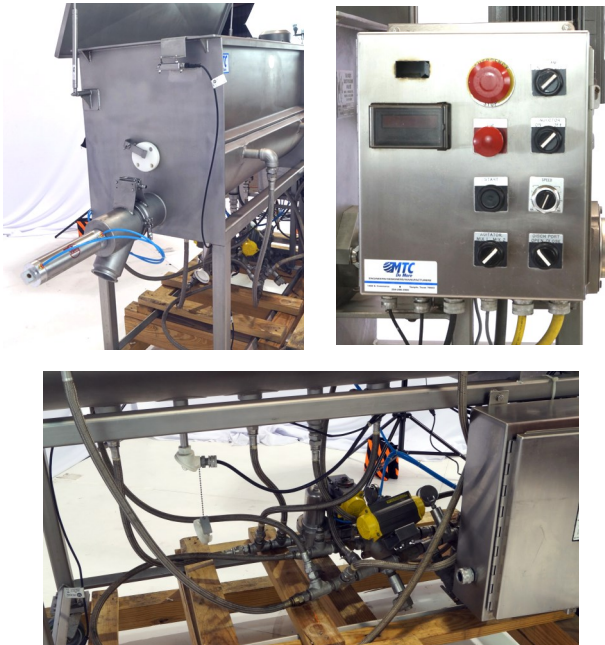
MTCC-7336 Pro Cooker, MTCC-9-04

Trough Dimensions: 48 X 9.25"W

This unit has the following features:

- HMI Terminal, 7" Color Panelview 800 Touchscreen.
- Allen Bradley Micro 850 Processor
- Gearmotor, 1 each, Baldor, ELEC, 1HP, 90VDC, 120VAC, PM, 56C
- 48 X 9" dia. Auger
- Sanitary Split Seal (Drive End)
- Delrin Bushing (Idler End)
- 4 Steam Diffusers



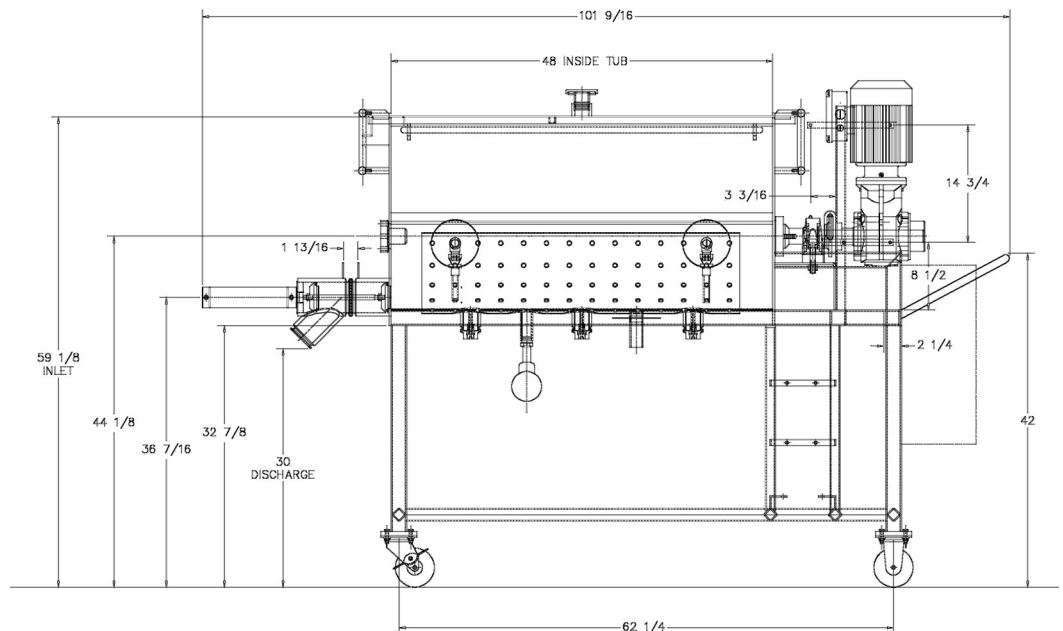


SAC-60-0710314 Single Agitator Cooker, Double Ribbon, 60 Gal.

Tub dimensions (Inside) 48 X 18.25 W

This unit has the following features:

- Gearmotor, RTANG, TORQLOC, KT67, 230V, 60HZ, 3HP, 30:1
- High Pressure Steam Jacket
- Double Ribbon Agitator 48 X 18" dia.
- Sanitary Split Seal (Drive End)
- Delrin Bushing (Discharge End)
- Pneumatically Operated Discharge Port



MTC Warehouse Clearance Sale

Rental & Show Equipment



Statement of Warranty

(There are no warranties that extend beyond the description on the face hereof.)

MTC warrants to and for the sole benefit of the original purchaser of its equipment, that such equipment is free from defects in materials and workmanship under normal and proper use, operation, and maintenance. This warranty shall remain in effect for a period of **90 days** from the date of delivery of the equipment to the original purchaser.

The term “original purchaser,” as used in this warranty, means the customer to whom the equipment was first delivered for use.

MTC shall provide both the labor and the parts required to repair, or at MTC’s option, replace any part of the equipment that is determined by MTC to have been defective during the applicable warranty period.

Notice of any defect must be promptly given to MTC or an authorized MTC dealer by the original purchaser.

MTC does not warrant and this warranty does not apply to accessories or attachments not manufactured by MTC which are incorporated in or delivered with the equipment and are warranted by their respective manufacturers.

Damage or defects caused by overloading or other misuse, negligence, abuse, accident, failure to follow operation or maintenance instructions, or from other causes having an origin other than in the manufacture of the equipment are not within the scope of this warranty.

MTC reserves the right to make changes and improvements in the design and construction of its equipment without thereby being obligated to make corresponding changes and improvements in previously manufactured equipment.

The warranty set forth herein is the complete and entire warranty made by MTC and there are no other warranties, either expressed or implied, concerning the merchantability or fitness for a particular purpose, made by MTC.

The right to repair or replace, as set forth herein, is the sole and exclusive remedy for breach of the above warranty, and MTC shall not be liable for any damages, whether direct, incidental, consequential or otherwise, occasioned by any breach of this warranty, or for any charges or expenses of any nature incurred without MTC’s consent. In no event shall MTC’s liability, under any claim, exceed the purchase price of the equipment for which damages are claimed.

Revised 3/8/17

This Warranty shall apply only to the equipment indicated below:

MTCC-0910355 Pro Cooker

MTCC-SN7336 Pro Cooker

SAC-60-0710314 Single Agitator Cooker

For more information, please call the MTC Sales team at:

800 433 3110 (USA, toll-free)
254 298 2900 (Switchboard)
254 298 2908 (Food Sales)